

PERFORAZIONE
DRILLING



DEMOLIZIONE
DEMOLITION

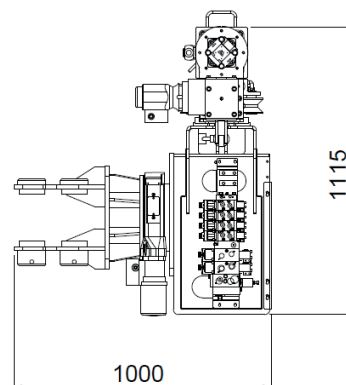
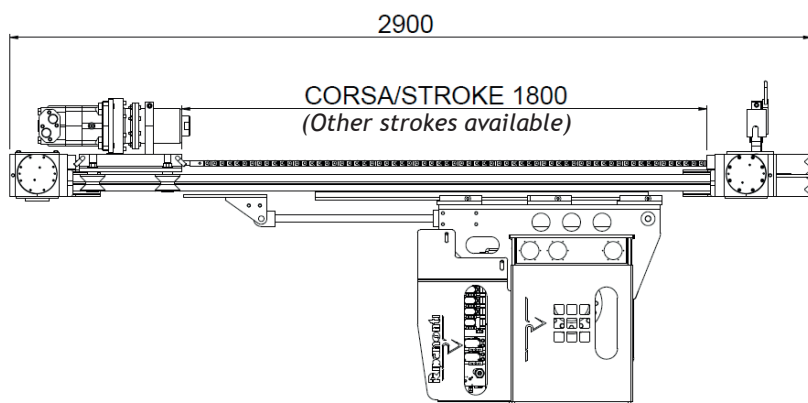
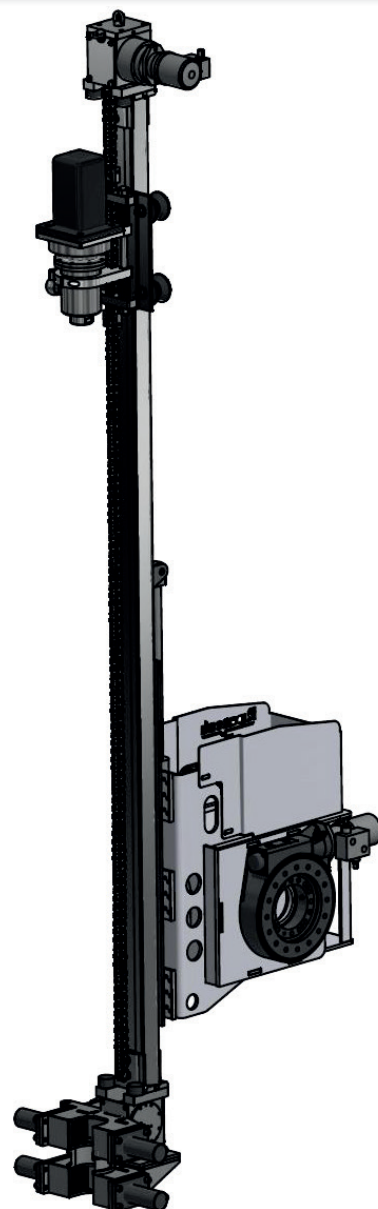
EX180DTH EXCAVATOR ATTACHMENT DRILL

EX180DTH È UN KIT DI PERFORAZIONE PREDISPOSTO PER L'UTILIZZO DI MARTELLI FONDO FORO DA 3", 4", 5", MONTATO SUL NOSTRO PROFILO DI ALLUMINIO SPEEDY DRILL 180 CON AVANZAMENTO A CATENA TRAMITE MOTORIDUTTORE E CATENARIA PORTA TUBI LATERALE, PROGETTATO PER ESSERE APPLICATO SU ESCAVATORI DI PICCOLA PORTATA (> 3.5 TON) . I KIT, ESTREMAMENTE LEGGERI E COMPATTI, SONO DISPONIBILI IN VARIE VERSIONI PER POTER RISPONDERE ALLE VOSTRE ESIGENZE DI CANTIERE

EX180DTH IS A DRILLING KIT DESIGNED TO USE DTH HAMMER 3", 4", 5", MOUNTED ON OUR ALUMINIUM PROFILE SPEEDY DRILL 180, WITH CHAIN FEED AND SIDE HOSE CHAIN, DEVELOPED TO BE MOUNTED ON SMALL SIZE EXCAVATORS (>3.5 TON). EXTREMELY LIGHT AND COMPACT, THEY ARE AVAILABLE IN VARIOUS VERSIONS



TECHNICAL SPECIFICATIONS	
Excavator size	> 3.5 ton
Drill mast	Speedy drill 180
Stroke	Standard 1800 mm / 2300 mm
Pull back / down	1.500 Kg
Base frame and Kinematic	Include plate to attach to your excavator with <ul style="list-style-type: none"> •slew for mast rotation (180° +180°) •Back feed 550 mm •Side chain system guide for cable and hoses for stroke longer than 1,8 •Support legs for storage
Hydraulics	5 proportional valves (rotation/ percussion/ feed/ slew/ back feed)
Controls	Radio remote control and LCD 5" screen for diagnostic and setting
Centralizer	Manual centralizer included
Data log	On request
ROTARY HEAD	
RP100, RP200	
Other roptary head and drifter available on request	
ACCESORIES	
<i>Extra slew mounted at 90 degree</i>	
Single clamp 25-90 mm	
Clamping and breaking device 25-90 mm	
Slidramatic system for lateral head feed	
Hydraulic actuator for proportional air valve opening	
Hydraulic water pump	
Lubricator venturi type	
Safety guard (basic version)	



Ripamonti continuously improves its products and so reserves the right to modify technical data if necessary without prior notice.